

 instagrid

 **FRSA**
Fire Rescue Society Australia



INSTAGRID ONE MAX

EMERGENCY
SERVICES

THE WORLD'S MOST ADVANCED PORTABLE POWER STATION FOR PROFESSIONAL USE

Introducing a portable power supply, combining full mains power (3600 W) with a truly lightweight and portable design.

We bring electricity within seconds anywhere you might need it, making work easier and more efficient for anyone working off-grid at accident site, disaster area, traffic control or flooded basements.

- Save time and effort
- Carry electricity easily with you
- Minimise cabling to reduce tripping hazards
- Work indoors and outdoors – in all weather conditions
- Eliminate local emissions and noise pollution



„The ONE max is the biggest innovation of the fire brigade in the last 5 years.“

Joachim Pech
Fire Brigade Karlsruhe (GER)
Deputy Head of Technology

THIS IS THE INSTAGRID ONE

max

- Delivers power equivalent to 16 A / 230 V household supply
- Use any AC electric equipment, no additional inverters needed
- Simple recharge through standard plug in 2.5 hours

TECHNICAL SPECIFICATIONS

Parameter	Value
Mode of operation: Discharging	
Output voltage	120 V VAC / 60 Hz
Rated output power	3 600 W (16 A)
150 % boost (> 500 s)	5 400 W (24 A)
200 % boost (> 50 s)	7 200 W (32 A)
250 % boost (> 10 s)	9 000 W (40 A)
Peak Power	18 000 W (80 A)
Maximum short-circuit current	300 A
On (idle)	150 h
Circuit protection	16 A – equivalent B16
Operating temperature	68 °F up to 140 °F



Parameter	Value
Mode of operation: Charging	
Input voltage	120 – 240 VAC / 50 – 60 Hz
Rated power	500 – 1000 W (4 A)
Power consumption during complete charging process	< 0.5 W
Charge duration	< 3 h up to 100 %
Operating temperature	32 °F up to 113 °F

General

Battery capacity	2074 Wh
Weight	46.2971 lb
Dimensions	6.5 x 8.3 x 16.5 in
IP Class	Nema 12 (IP 54+)
Protection class	Class II / double insulated
Noise emission	< 10 dB(A)
Storage	> 3 years

Electric Connections

Output socket	2x Nema 5-20
Output socket	Neutrik powerCON TRUE1
Load input	Neutrik powerCON TRUE1
Input fuse	T5A L 250V

POWER YOUR WORLD

Emergency
Services



CUT-OFF SAW 2700 W

38 cuts on cast iron pipe
Ø 4 in



HIGH PRESSURE WASHER 3000 W

~ 60 sqm cleaned area



SUBMERSIBLE PUMP 2300 W

~ 780 l/min
~ 50000 l



HIGH PERFORMANCE FAN

~ 20500 m³ of airflow



LARGE SUBMERSIBLE PUMP 5300 W

~ 2400 l/min
~ 55200 l



LED LIGHT 420 W

~ 5 h full brightness



FULL RECHARGED IN

~ 2.5 hours



PRO FILTER COFFEE MACHINE 2300 W

~ 160 cups



INSTAGRID - A NEW STANDARD IN CLEAN PORTABLE POWER

We've developed the world's most advanced portable battery systems for professionals with challenging power demands to replace polluting fossil generators in sectors like construction, events, film and media or emergency response.

Our award-winning converter technology uses a unique architecture of stacked micro-inverters, providing unprecedented power levels with a drastic reduction of size and weight. Through our solutions, we enable reliable and efficient access to clean and affordable electricity for anyone, anywhere and anytime.

 instagrid



Contact FRSA

admin@frsa.com.au

www.frsa.com.au

Brisbane: 07 3209 7422

Perth: 08 9270 6777

Sydney: 02 8059 6902

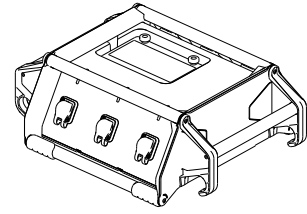
Melbourne: 03 8535 3300

Adelaide: 08 8311 1160

LINK 3G

Technical Specifications

Version 1.0 (Dec 2024)



Instagrid

Instagrid LINK is a smart power distributor that extends the features of your portable power supply and enables new and powerful applications.

- Island mode – combine Instagrid ONE units for up to 3x capacity. Hot-swap seamlessly for extended run times without the hassle of generators or extension cords.
- Continuous power source – set up a mission-critical power supply with no interruptions.
- Power up to three devices with RCD-protection without noise or exhaust fumes throughout the whole working day.



Receptacle type

3x AS/NZS 3112 15 A

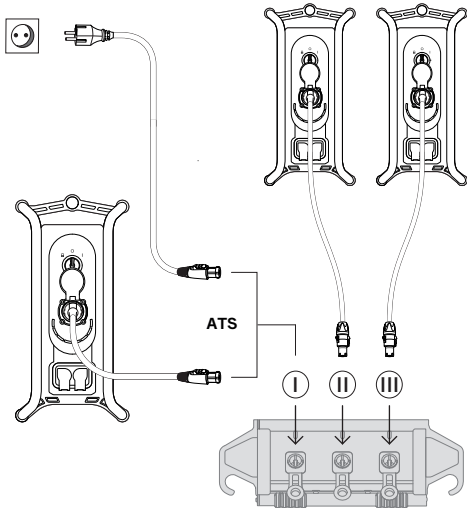
Product Description:

LINK | Type I | 240V | 15A | IP54

Art.Nr.: 990-00006
EAN/GTIN: 4260710090104

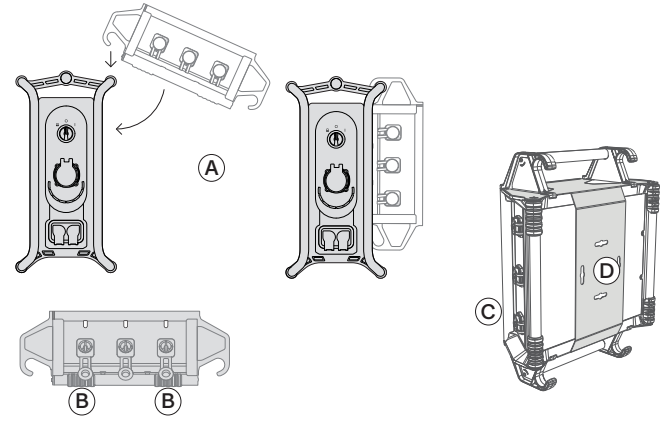
Parameter	Value
Operation	
Nominal voltage output	240 V AC / 60Hz
Nominal output current	15 A
Nominal output power	3,600 W
Switching time	< 20 ms
Protection	
Residual circuit device	3x 1P+N RCD type A, 30mA
Circuit breaker	1P 16 A (tripping characteristic C)
General Information	
Weight	4.5 kg
Size	400 x 310 x 140 mm
IP Class	IP54
Protection class	Class I provided with Class II construction
Ambient temperature	-15°C to 40 °C
Receptacles	
Input receptacles	3x Neutrik powerCON TRUE1 TOP®
Output receptacles	3x AS/NZS 3112 15 A

Input Logic



- The usual ONE charging cable can be used to connect Instagrid LINK to main power
- Instagrid LINK always uses power from ① when available, otherwise it uses power from ② and ③
- ② and ③ work in a “ping-pong” system → switch to another source only occurs if power from the current source ceases
- Continuous power source:
Plug main power into ① + one or two Instagrid ONE into ② and ③

Operation and Transport

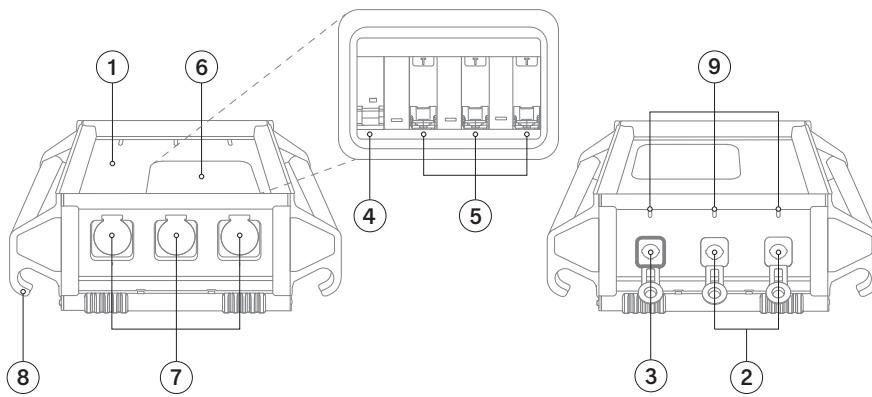


- Optimized for mounting on Instagrid ONE (A)
- 4 sturdy feet for stability and grip (B)
- Solid frame for custom mounting (e.g. velcro straps) (C)
- Surface mounting with screws (D)

Operation Modes

	Active	LED blinks GREEN
	Ready/standby	LED lights up WHITE
	Inactive	LED is OFF
	Service	LED lights up RED

Overview



- 1 Housing
- 2 2x Secondary input
Neutrik powerCON TRUE1 TOP®
- 3 1x Primary input
Neutrik powerCON TRUE1 TOP®
- 4 1x Circuit breaker (MCB)
- 5 3x Circuit breaker (RCCB)
- 6 Accessible fuse box
- 7 3x Output receptacle
- 8 Handle and hook
- 9 3x LED light